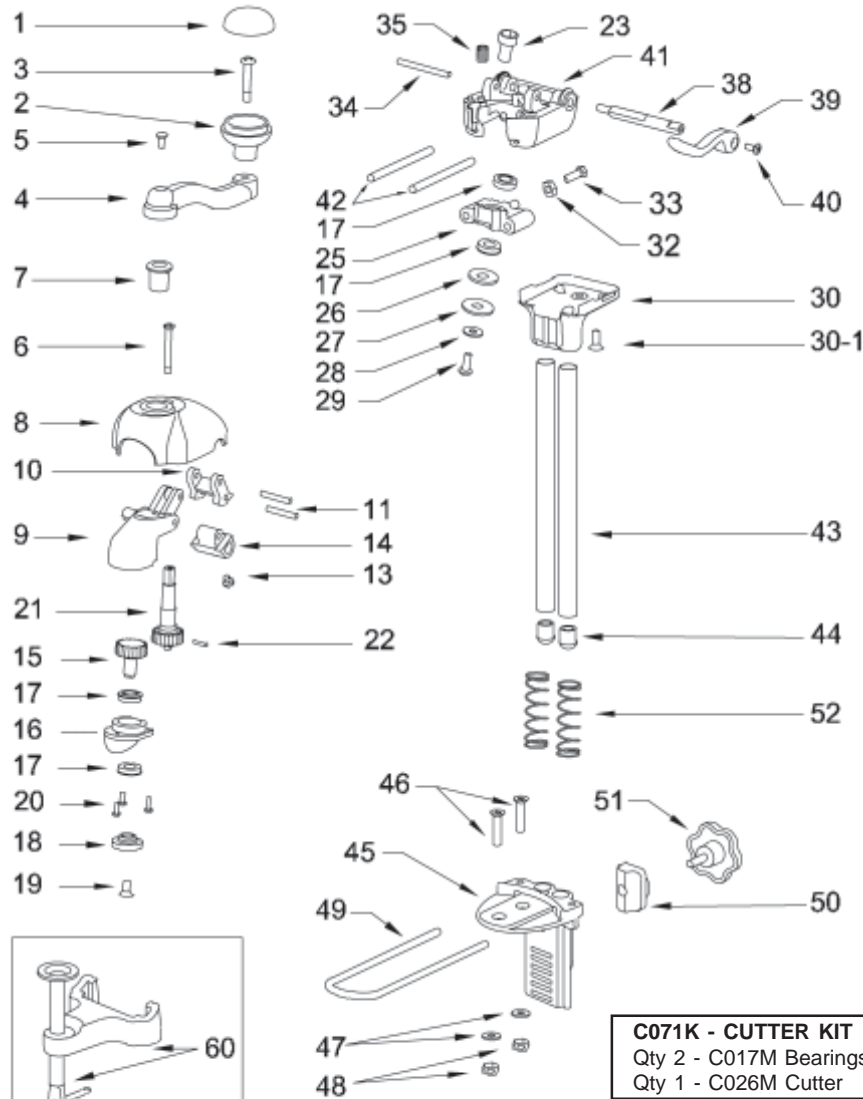


CANPRO SAFE-T-1 PARTS DIAGRAM

MODEL ITEM #80001



CANPRO SAFE-T-1 PARTS LIST

No	Part No	Name	Qty	No	Part No	Name	Qty
1	C001P	Top Handle Knob Cover	1	33	C033H	Adjusting Bolt	1
2	C002P	Top Handle Knob	1	34	C034M	Gripper Housing Pin	1
3	C003H	Top Handle Knob Screw	1	35	C035H	Gripper Housing Spring	1
4	C004C	Top Handle	1	38	C038M	Side Handle Shaft	1
5	C005H	Top Handle Screw	1	39	C039C	Side Handle	1
6	C006H	Top Cover Screw	1	40	C005H	Side Handle Screw	1
7	C007P	Top Handle Bushing	1	41	C041C	Mechanism Housing	1
8	C008C	Top Cover	1	42	C042M	Can Guide Pins	2
9	C009C	Gripper Housing	1	43	C043M	Support Pipes	2
10	C010C	Locking Mechanism Bridge	1	44	C044P	Pipe Caps	2
11	C011H	Locking Mechanism Pins	2	45	C045C	Table Clamp	1
13	C013H	Pan Head Set Screw	1	46	C046H	Clamping Bolt	2
14	C014C	Locking Mechanism Base	1	47	C047H	Bolt Mount Lock Washer	2
15	C015P	Gripper Gear/Shaft	1	48	C048H	Clamping Nut	2
16	C016C	Gripper Holder	1	49	C049M	Can Sitter	1
17	C017M	Bearings	4	50	C050P	Pipe Lock Insert	1
18	C018M	Gripper	1	51	C051P	Pipe Clamp Knob	1
19	C019H	Gripper Screw	1	52	C052M	Support Springs	2
20	C020H	Gripper Holder Screws	3	60	C060C	Counter Clamp Kit	1
21	C021P	Cutter Gear/Shaft	1	61	C071K	Cutter Kit	1
22	C022M	Drive Pin	1	62	C073A	Gripper Assembly	1
23	C023M	Cutter Drive Shaft	1	63	C074	Gripper Washer	1
25	C025C	Cutter Housing	1				
26	C026M	Cutter	1				
27	C027M	Cutter Spacer	1				
28	C028H	Cutter Washer	1				
29	C029H	Cutter Locking Bolt	1				
30	C030C	Bottom Cover	1				
30-1	C030-1H	Bottom Cover Screw	1				
32	C032H	Adjusting Nut	1				